

6

5

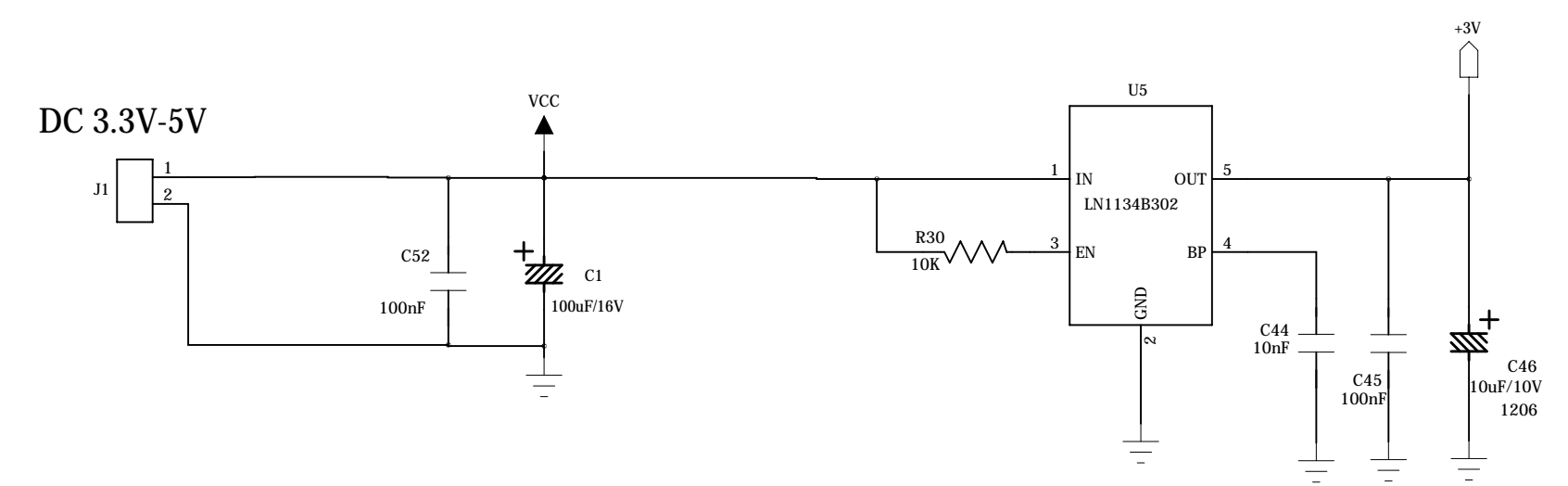
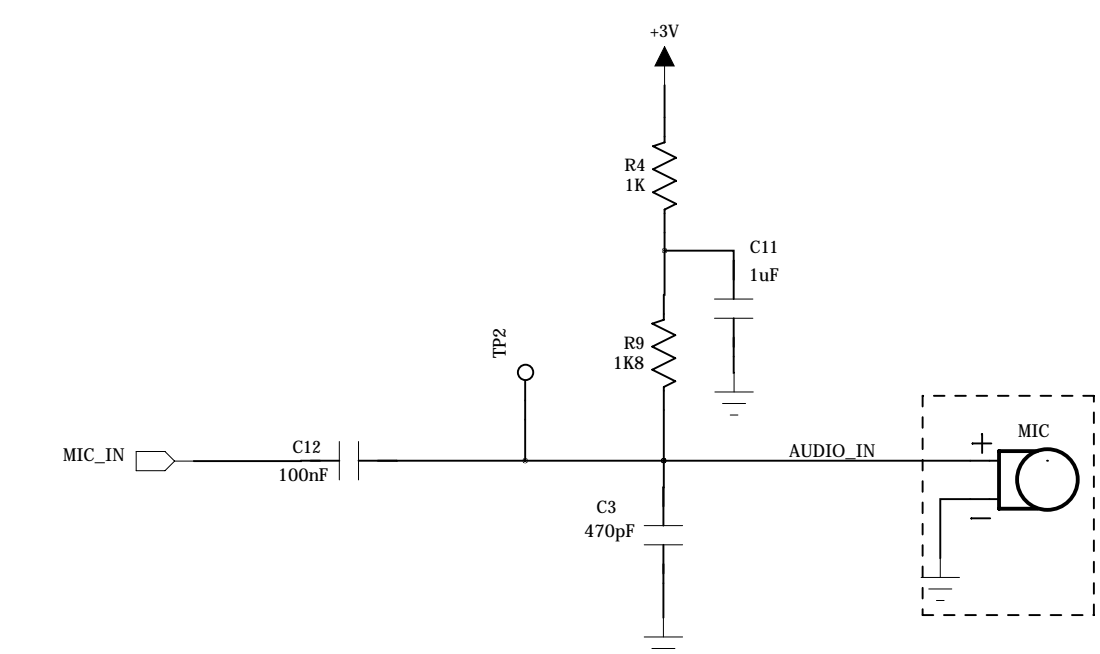
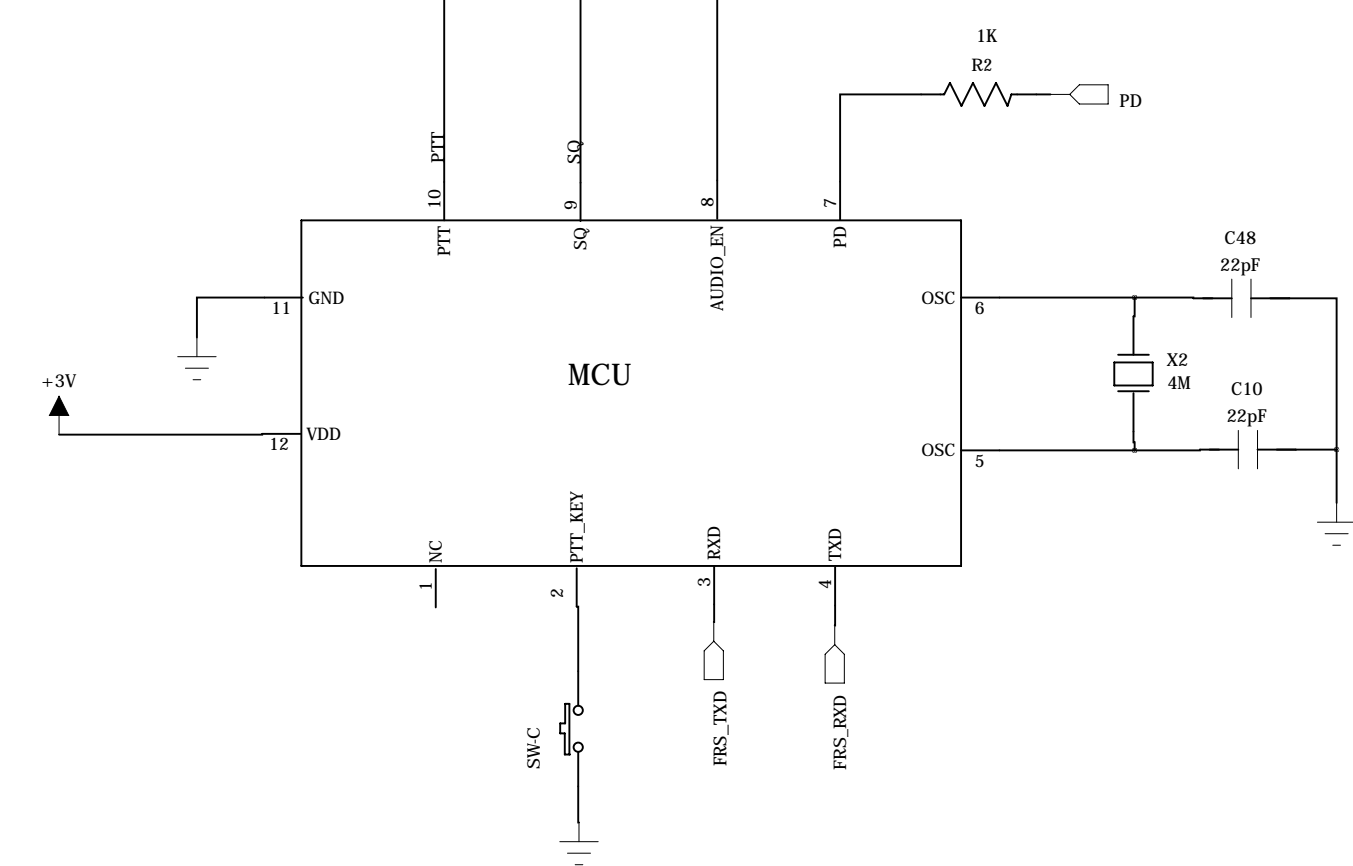
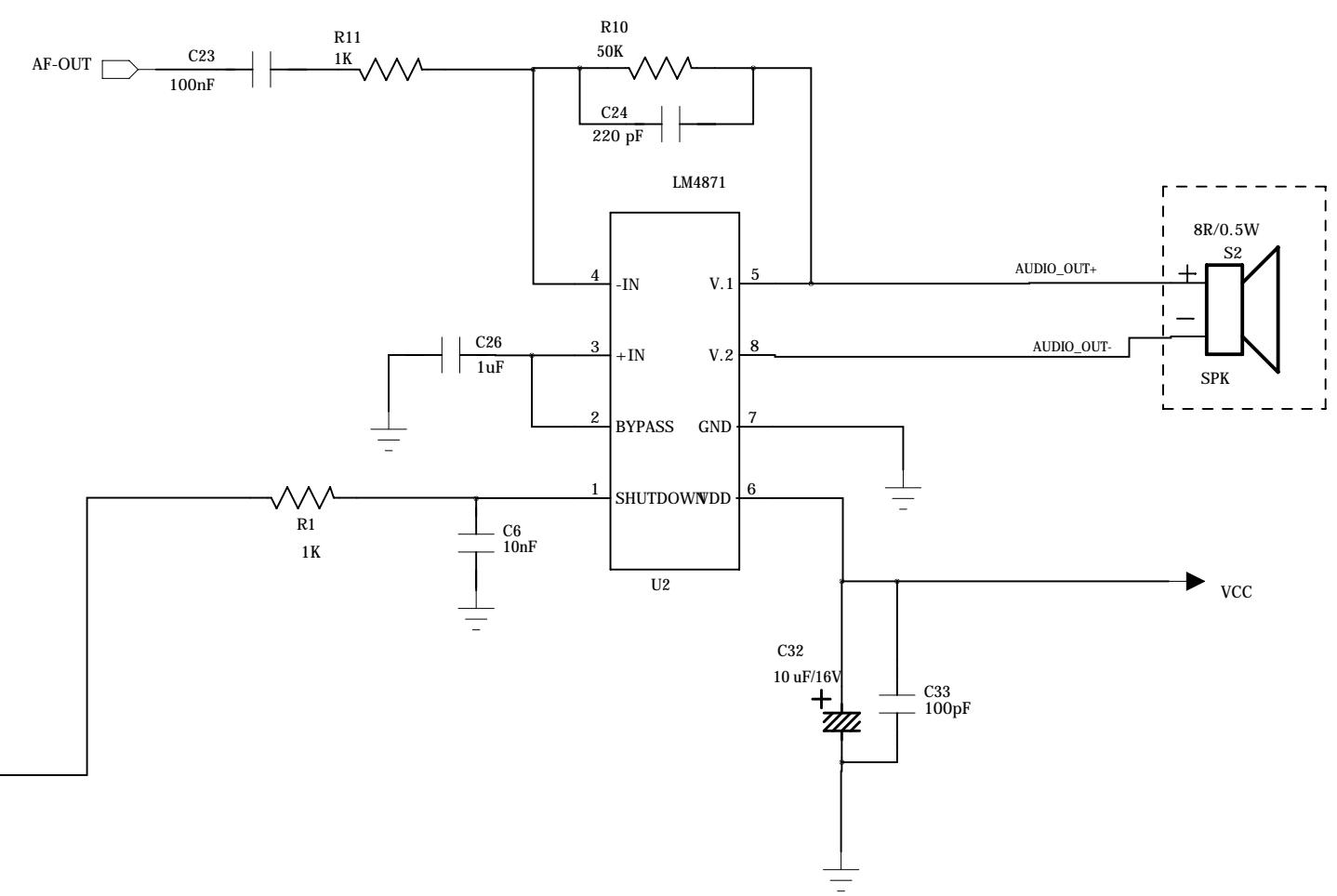
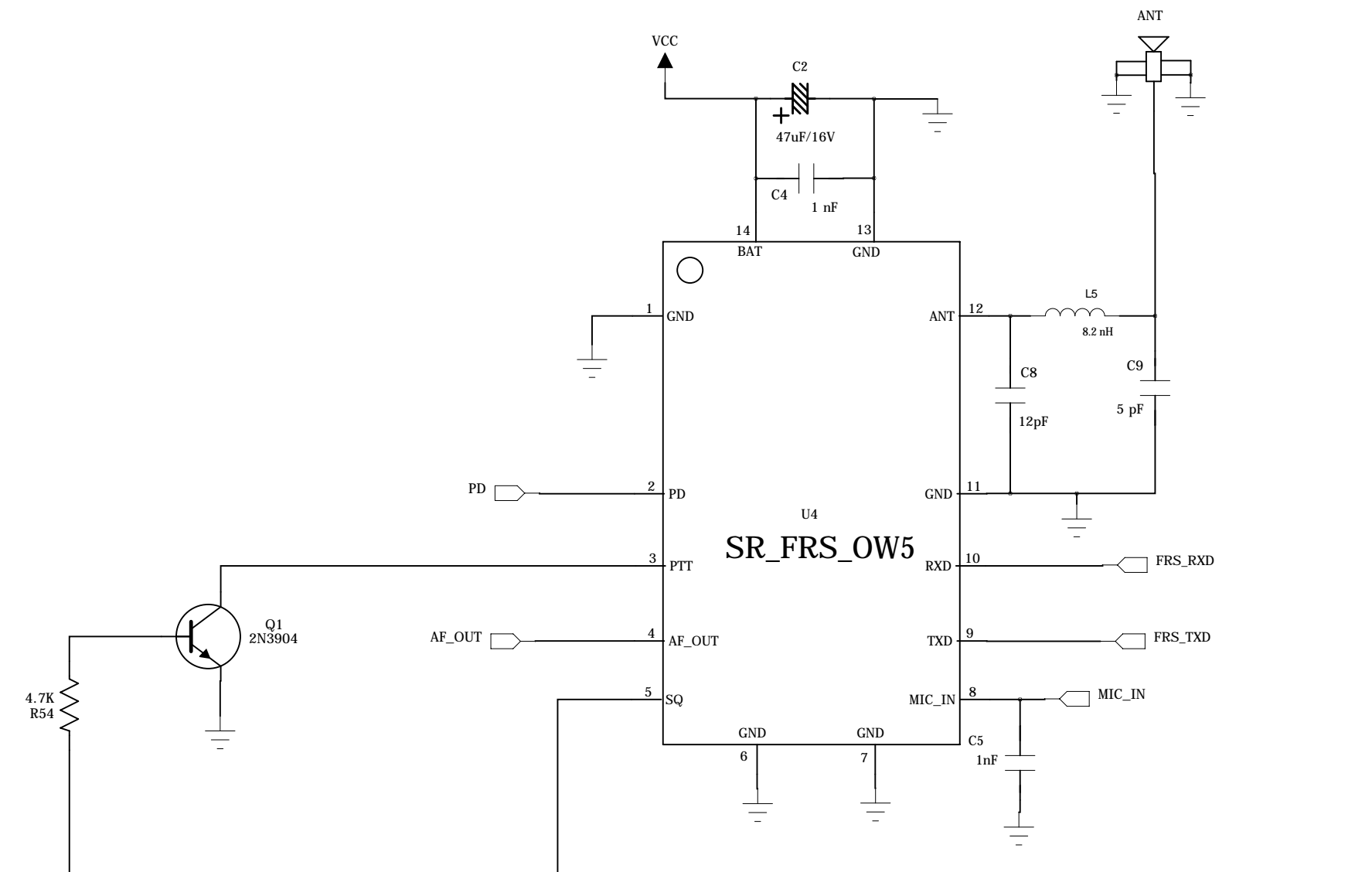
4

3

2

1

REVISION RECORD			
LTR	ECO NO:	APPROVED:	DATE:



DRAWN:	DATED: 7.21.2012
CHECKED:	DATED:
QUALITY CONTROL:	DATED:
RELEASED:	DATED:

COMPANY: Shen Zhen Sunrise Electronics CO.,Ltd			
TITLE: SR_FRS_OW5 application circuit with MCU			
CODE:	SIZE: C	DRAWING NO:	REV:
		REV.0.1	
SCALE:			SHEET: 1 of 1